

Standard Plans

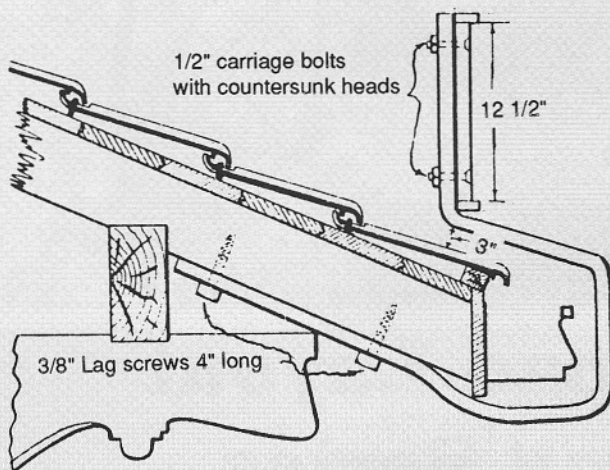
Southern Railway DEPOT SIGN ATTACHMENT

NO SCALE

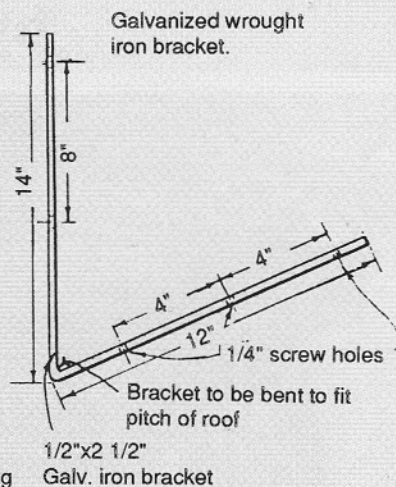
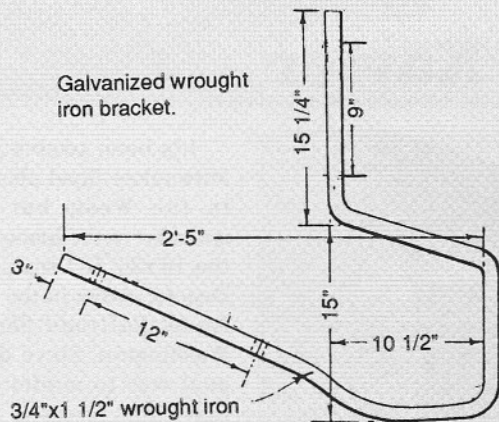
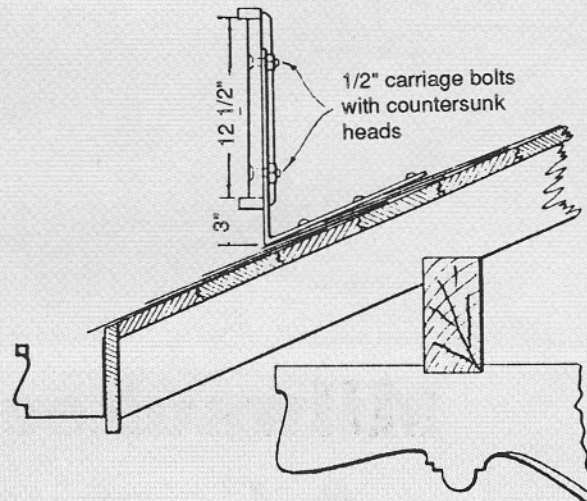
Prepared from official
Southern Railway Standards drawings.
Copies of these drawings may be made
for noncommercial use only.



For Tile Roofs



For Slate or Metal Roofs



Use two, three or four brackets according
to length of sign.

Signs to be placed at the middle on each
end of the building.