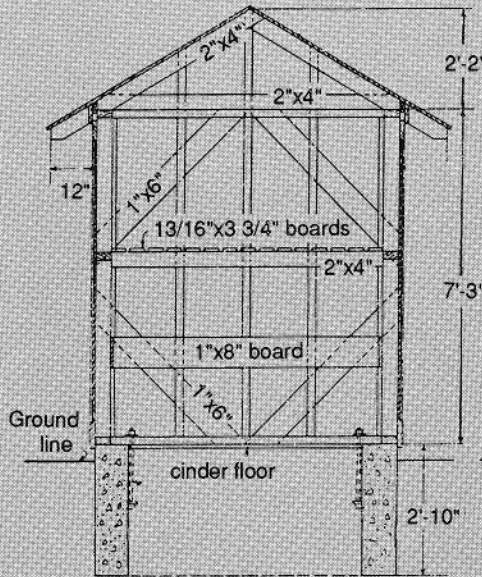
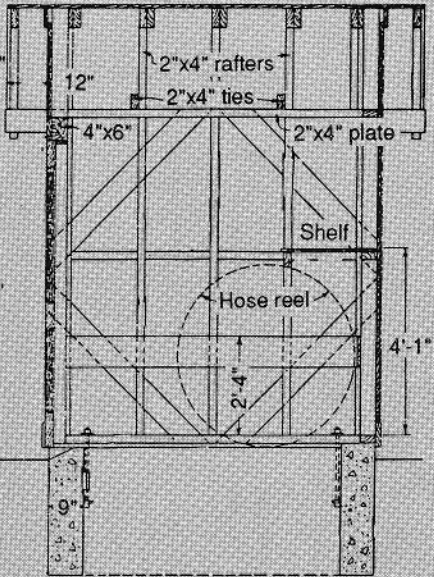


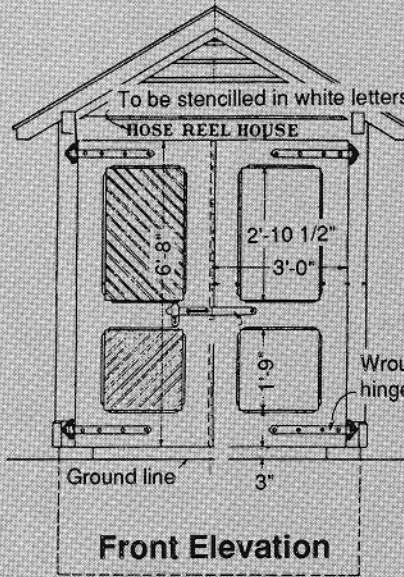
Standard Plans Southern System



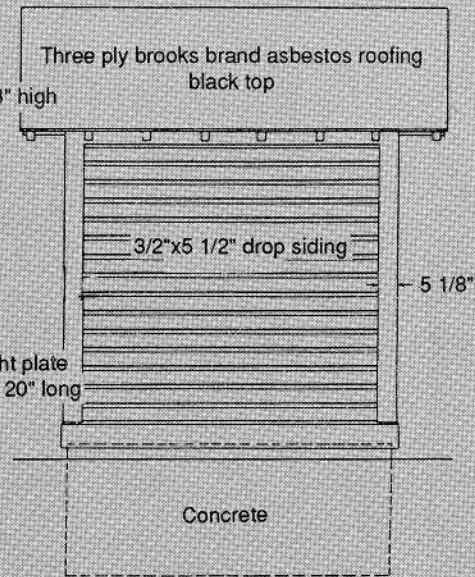
Cross section



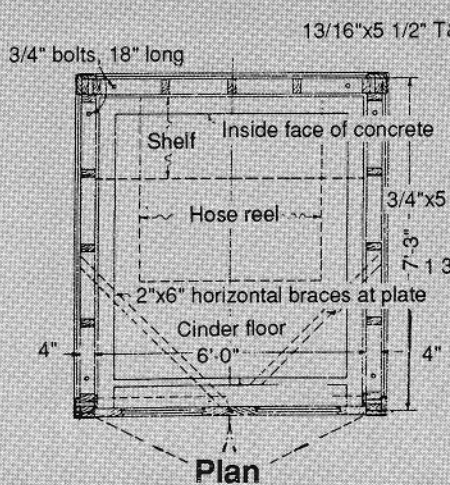
Section on Center Line



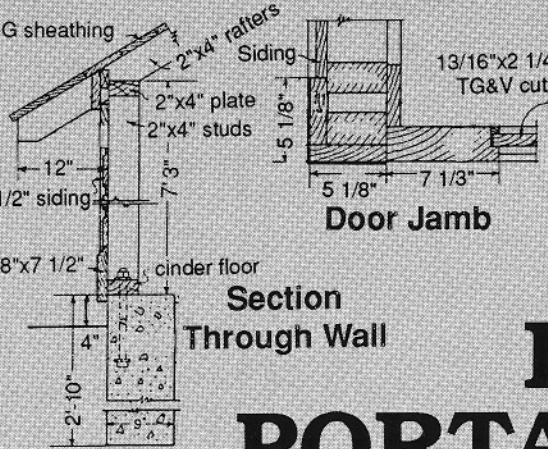
Front Elevation



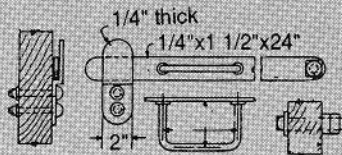
Side Elevation



Plan



Section Through Wall



Wrought Iron Latch

NO SCALE



Prepared from official Southern Railway Standards drawings. Copies of these drawings may be made for noncommercial use only.

HOUSE FOR PORTABLE HOSE REEL