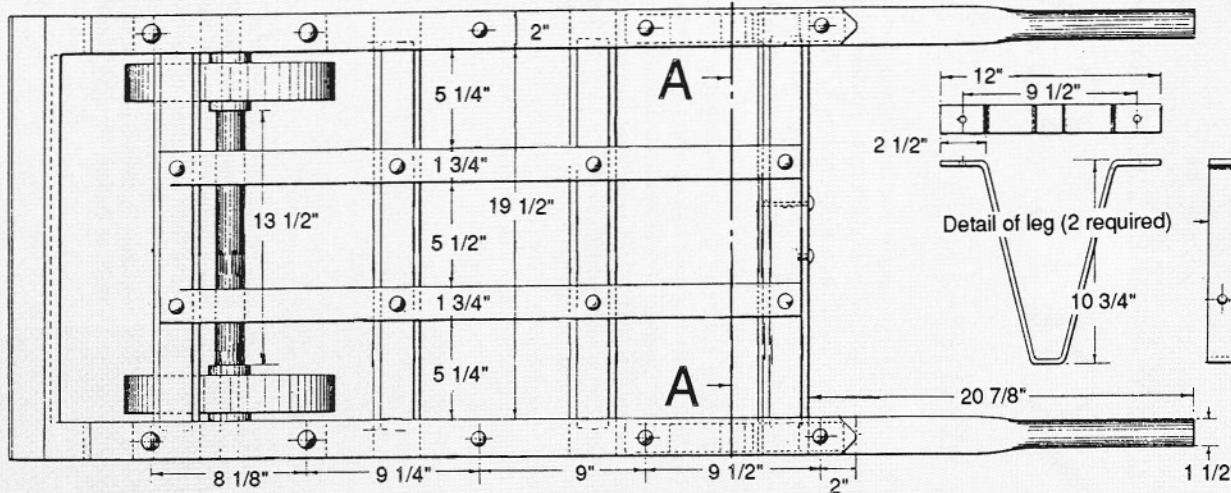
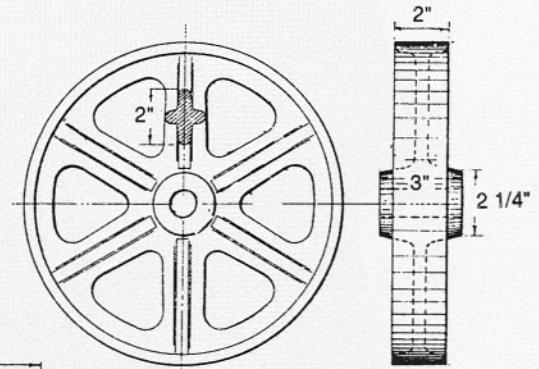
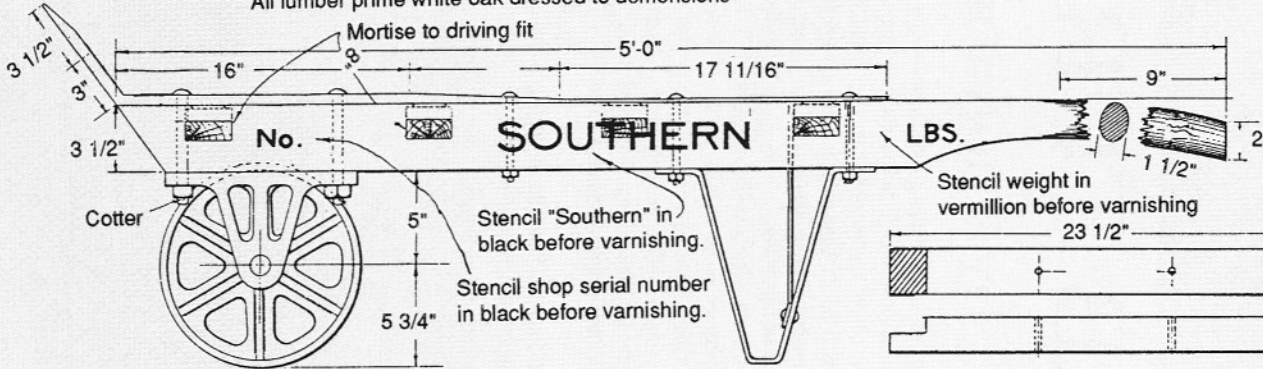
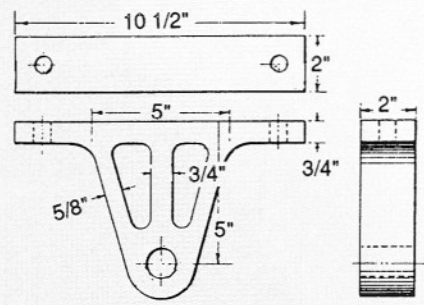
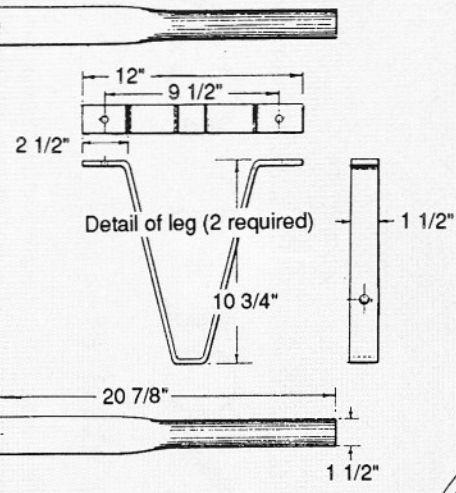


Standard Plans



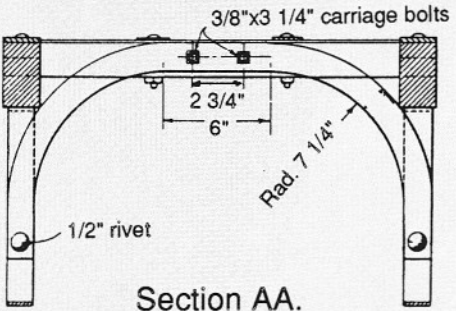
All lumber prime white oak dressed to demensions



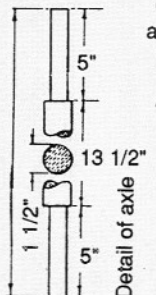
NO SCALE

Prepared from official Southern Railway Standards drawings. Copies of these drawings may be made for noncommercial use only.

Detail of cross, pieces (4 required)



Section AA.



On opposite side stencil shop at which truck is built in black before varnishing.
All bolts are carriage bolts.

Southern Railway WAREHOUSE TRUCK

