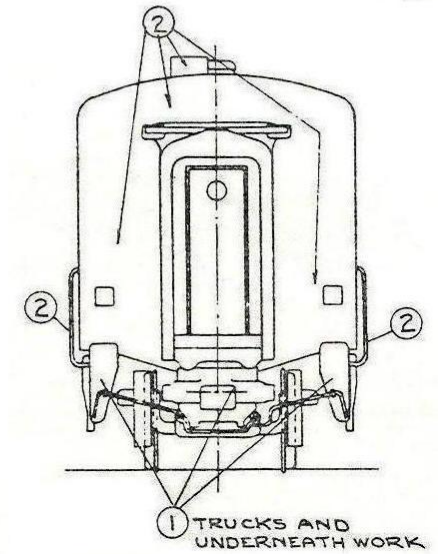
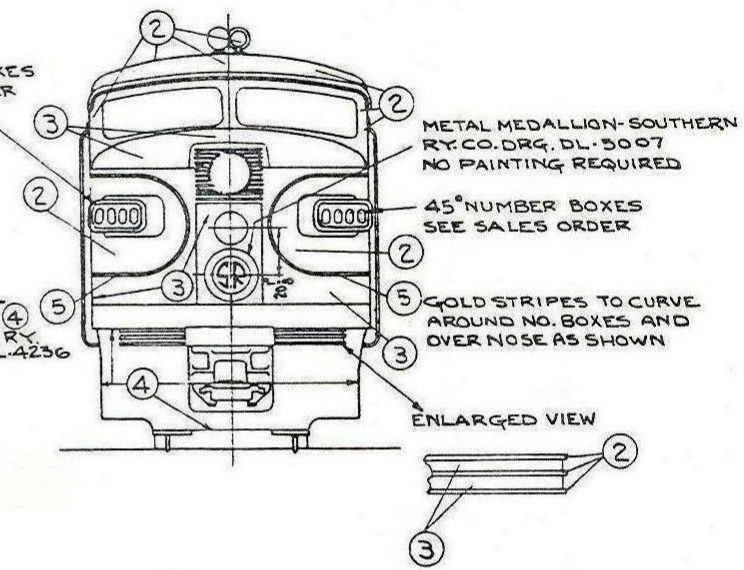
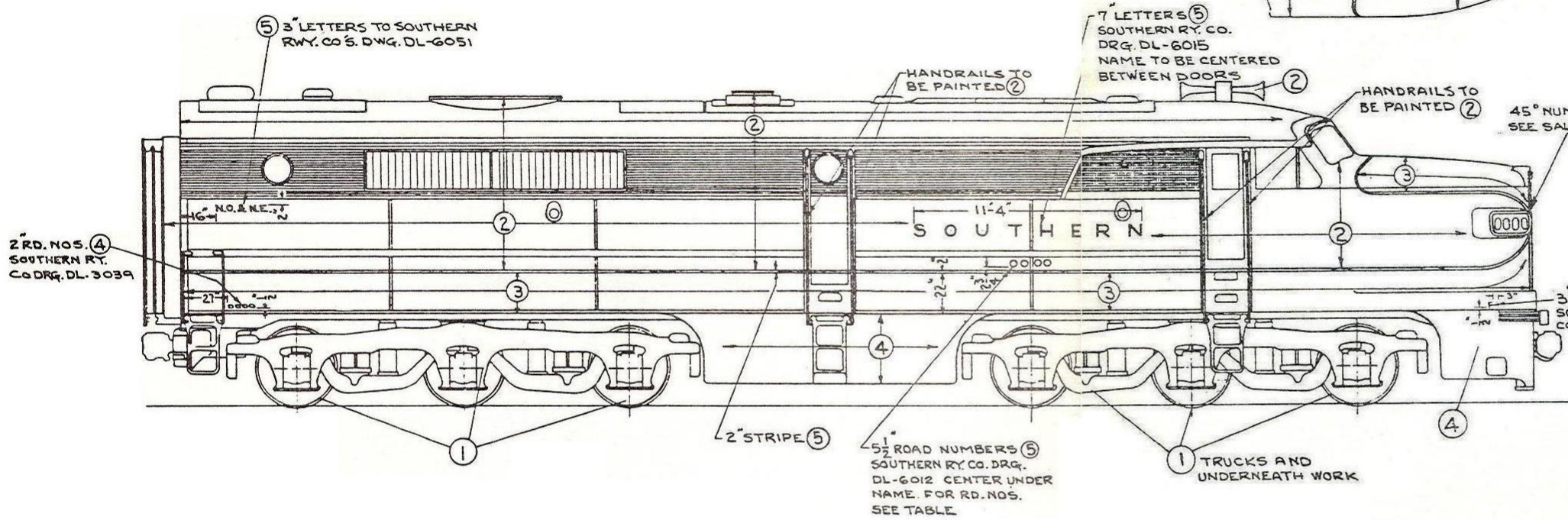


PAINTED TO ALCO STANDARD PAINTING DRAWINGS 992597&120 & 992597&300



PERTAINS TO		MISCELLANEOUS		995 S 54160			
		PAINTING DIAGRAM					
		American Locomotive Company					
Drawn by	E. H. Haskie	Sept 11	1953	Checked by	H. R. Kinsley	Oct 7	1953
Des. by	E. H. Haskie	Sept 21	1953	Eng. by	W. J. Conroy	Oct 9	1953

REV #	CHANGE	DATE	DESCRIPTION	ORIGINAL
Z	IN PLAN VIEW NOSE WAS 2	10-19-53	ROAD NUMBERS	DRAWING
			6900-6905	S 54160
				Order No. S.O. 20906

PIECE NO	QUAN	CODE OR DRAWING NO	PART TITLE
7	20 GALS.		SUEDE GRAY EN. (ENGINE ROOM HEAT RESISTANT INTERIOR)
6	5 GALS.		SUEDE GRAY ENAMEL (CAB INTERIOR)
5	7 GALS.	KIRKER CO. AY-3308-0	IMITATION GOLD LACQUER
4	1 GAL.	KIRKER CO. AY-2415-B	BLACK LACQUER
3	5 GALS.	KIRKER CO. AY-3015-A	IMITATION ALUMINUM LACQUER
2	20 GALS.	KIRKER CO. AY-2968-G	SYLVAN GREEN LACQUER
1	25 GALS.		BLACK ENAMEL