

Southern Railway Painting Diagram ALCO RS

For conversion of subsidiary roads to SRY
Eric Furr Collection 02 2010

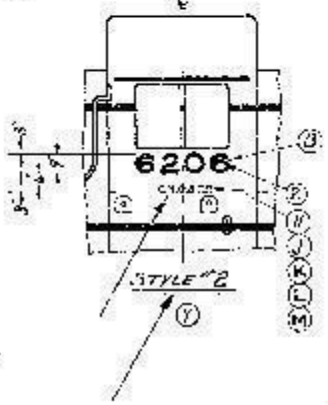
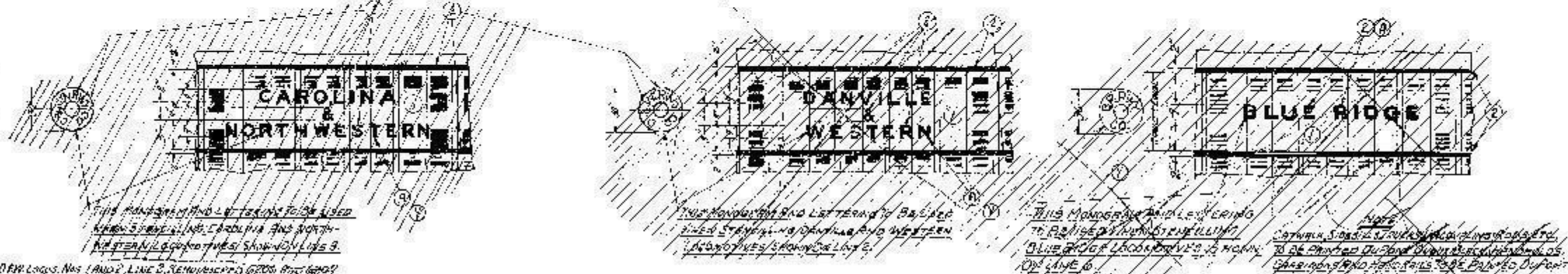
STYLE	ORIGINAL NUMBERS	CLASS	LINE
1	SOUTHERN RAILWAY 2131-2145 1875-2022	ALCO 1600 HP RD SW	12
2	CNO & TP 6208-6239	ALCO 1600 HP RD SW	13
21	CENW 1-10	ALCO 1600 HP RD SW	14

STYLE	ORIGINAL NUMBERS	CLASS	LINE
1	SOUTHERN RAILWAY 2131-2145 1875-2022	ALCO 1600 HP RD SW	12
2	CNO & TP 6208-6239	ALCO 1600 HP RD SW	13
21	CENW 1-10	ALCO 1600 HP RD SW	14

D & W LOCOMOTIVES NOS. 1 AND 2, LINE 7, RENUMBERED 5 AND 6 AND RESTYLED AS PER LINE 9 AND BLUE RIDGE LOCOMOTIVES NO. 1 AND 2, LINE 6 RENUMBERED 7 AND 8 AND RESTYLED AS PER LINE 10.

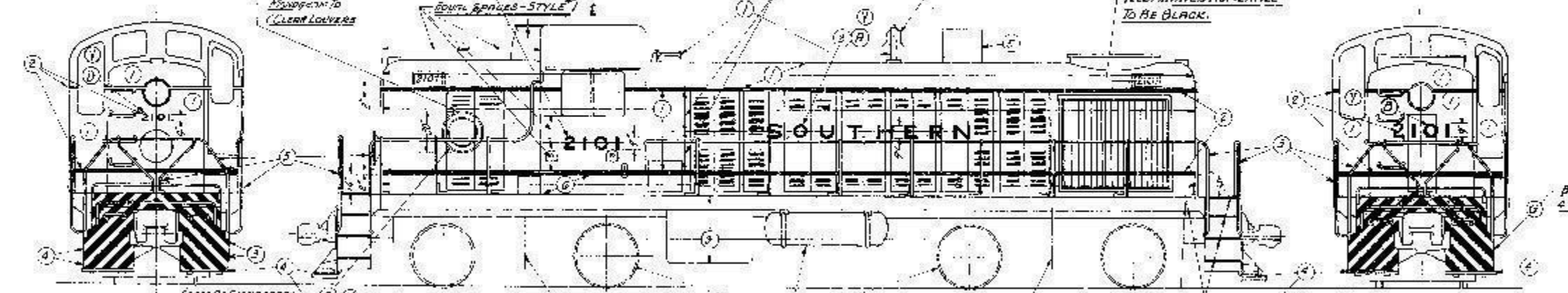
LETTERS MUST CLEAR LOUVER

- ① 254-3433 9 DU PONT DUCO SYLVAN GREEN
- ② 254-54015 (SPRAY) 259-54015 (BRUSH) DU PONT DUCO IMITATION GOLD
- ③ 88-792 (SPRAY OR BRUSH) DU PONT DUCO BLACK
- ④ 95-001 DU PONT DUCO WHITE
- ⑤ 254-3234 DU PONT DUCO BLACK
- ⑥ 254-34743 DU PONT DUCO IMITATION ALUMINUM



- DETAILS OF LETTERING AND NUMBERING**
- DL-6040 --- 9" ALPHABET
 - DL-6041 --- 9" NUMBERS 0123456789
 - DL-6000 --- 20" DIA MONOGRAM (SOUTHERN RAILWAY SYSTEM)
 - DL-6011 --- 4" ROAD NUMBERS
 - 88-65 --- TRUCK STENCILING
 - DL-4255 --- "LETTER Y"
 - DL-3037 --- END PRINTING
 - DL-6016 --- 3" LETTERS "CNO & TP"
 - DL-6038 --- 3" LETTERS "NO & N.E."
 - DL-14763 --- 3" LETTERS "D & W"
 - DL-14764 --- 3" LETTERS "S. R."
 - DL-14765 --- 3" LETTERS "N.W."
 - DL-6053 --- 3" LETTERS "G & N.W."

DL-6040 NOS. 1 AND 2, LINE 3, RENUMBERING 6208 AND 6209, LINE 8, AND TRANSFERRED TO THE CNO & TP, CLASS 1600 HP RD SW LOCS. NOS. 6208-6209, LINE 13, CHANGED TO D & W, NOS. 1 AND 2, LINE 7, BEFORE DELIVERY.



CHANGED FROM AGS TO NO. 147-715 RD. MONOGRAMS HAVE GOLD LETTERS AND BORDERS ON GREEN BACKGROUND.

FEV 4-22-50 SYMBOLS 473, 474, 475, 476, 477, 478, 479, 480, 481, 482, 483, 484, 485, 486, 487, 488, 489, 490, 491, 492, 493, 494, 495, 496, 497, 498, 499, 500, 501, 502, 503, 504, 505, 506, 507, 508, 509, 510, 511, 512, 513, 514, 515, 516, 517, 518, 519, 520, 521, 522, 523, 524, 525, 526, 527, 528, 529, 530, 531, 532, 533, 534, 535, 536, 537, 538, 539, 540, 541, 542, 543, 544, 545, 546, 547, 548, 549, 550, 551, 552, 553, 554, 555, 556, 557, 558, 559, 560, 561, 562, 563, 564, 565, 566, 567, 568, 569, 570, 571, 572, 573, 574, 575, 576, 577, 578, 579, 580, 581, 582, 583, 584, 585, 586, 587, 588, 589, 590, 591, 592, 593, 594, 595, 596, 597, 598, 599, 600, 601, 602, 603, 604, 605, 606, 607, 608, 609, 610, 611, 612, 613, 614, 615, 616, 617, 618, 619, 620, 621, 622, 623, 624, 625, 626, 627, 628, 629, 630, 631, 632, 633, 634, 635, 636, 637, 638, 639, 640, 641, 642, 643, 644, 645, 646, 647, 648, 649, 650, 651, 652, 653, 654, 655, 656, 657, 658, 659, 660, 661, 662, 663, 664, 665, 666, 667, 668, 669, 670, 671, 672, 673, 674, 675, 676, 677, 678, 679, 680, 681, 682, 683, 684, 685, 686, 687, 688, 689, 690, 691, 692, 693, 694, 695, 696, 697, 698, 699, 700, 701, 702, 703, 704, 705, 706, 707, 708, 709, 710, 711, 712, 713, 714, 715, 716, 717, 718, 719, 720, 721, 722, 723, 724, 725, 726, 727, 728, 729, 730, 731, 732, 733, 734, 735, 736, 737, 738, 739, 740, 741, 742, 743, 744, 745, 746, 747, 748, 749, 750, 751, 752, 753, 754, 755, 756, 757, 758, 759, 760, 761, 762, 763, 764, 765, 766, 767, 768, 769, 770, 771, 772, 773, 774, 775, 776, 777, 778, 779, 780, 781, 782, 783, 784, 785, 786, 787, 788, 789, 790, 791, 792, 793, 794, 795, 796, 797, 798, 799, 800, 801, 802, 803, 804, 805, 806, 807, 808, 809, 810, 811, 812, 813, 814, 815, 816, 817, 818, 819, 820, 821, 822, 823, 824, 825, 826, 827, 828, 829, 830, 831, 832, 833, 834, 835, 836, 837, 838, 839, 840, 841, 842, 843, 844, 845, 846, 847, 848, 849, 850, 851, 852, 853, 854, 855, 856, 857, 858, 859, 860, 861, 862, 863, 864, 865, 866, 867, 868, 869, 870, 871, 872, 873, 874, 875, 876, 877, 878, 879, 880, 881, 882, 883, 884, 885, 886, 887, 888, 889, 890, 891, 892, 893, 894, 895, 896, 897, 898, 899, 900, 901, 902, 903, 904, 905, 906, 907, 908, 909, 910, 911, 912, 913, 914, 915, 916, 917, 918, 919, 920, 921, 922, 923, 924, 925, 926, 927, 928, 929, 930, 931, 932, 933, 934, 935, 936, 937, 938, 939, 940, 941, 942, 943, 944, 945, 946, 947, 948, 949, 950, 951, 952, 953, 954, 955, 956, 957, 958, 959, 960, 961, 962, 963, 964, 965, 966, 967, 968, 969, 970, 971, 972, 973, 974, 975, 976, 977, 978, 979, 980, 981, 982, 983, 984, 985, 986, 987, 988, 989, 990, 991, 992, 993, 994, 995, 996, 997, 998, 999, 1000.

STYLING AND PRINTING DETAILS
ALCO 1500 HP AND 1600 HP ROAD SWITCHERS
SOUTHERN RAILWAY SYSTEM
OFFICE OF LOCOMOTIVE ENGINEERING
WASHINGTON, D.C. SEP 7, 1958

T	REV	Z	Y	X	W	V	U
---	-----	---	---	---	---	---	---

DL-5038